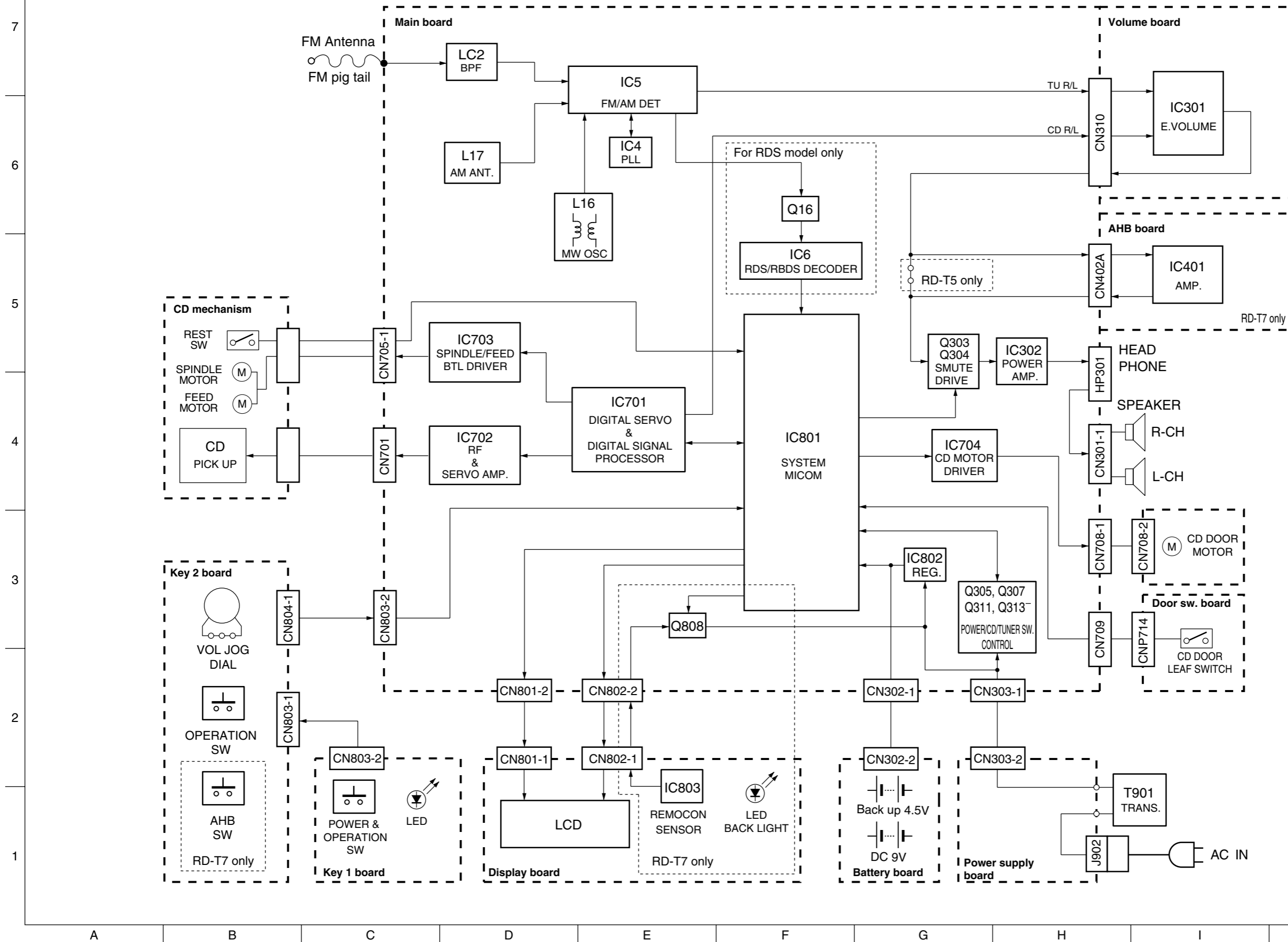


Safety Precautions

In regard with component parts appearing on the silk-screen printed side (parts side) of the PWB diagrams, the parts that are printed over with black such as the resistor (■), diode (▣) and ICP (●) or identified by the "△" mark nearby are critical for safety.

When replacing them, be sure to use the parts of the same type and rating as specified by the manufacturer.
(Except the J and C version)

Block diagram

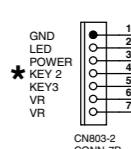


Standard schematic diagrams

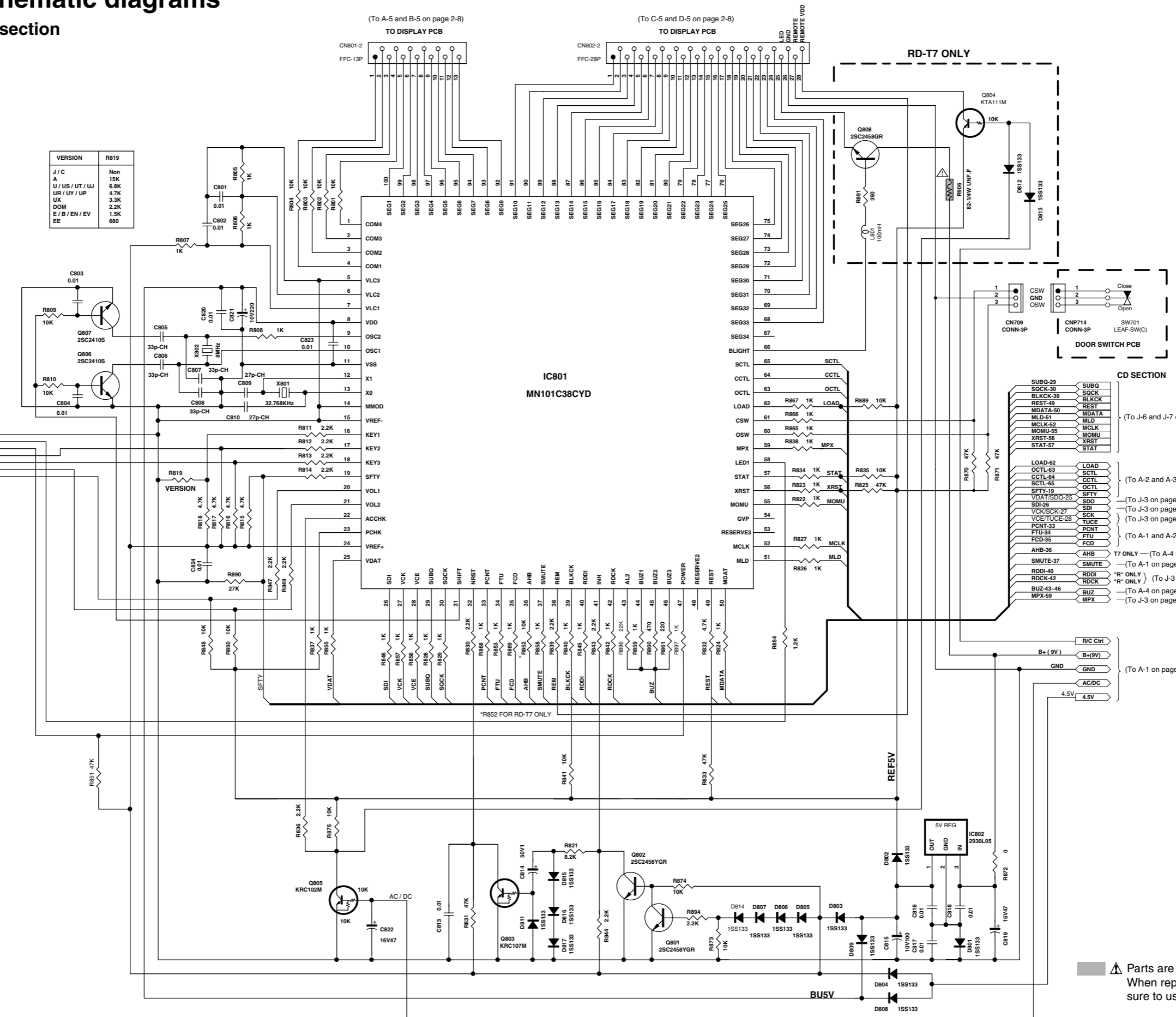
System control section

7
6
5
4
3
2
1

(To F-1 on page 2-9)
TO KEY BOARD



VERSION	R819
J / C	Non
A	15K
U / US / UT / UJ	6.8K
UR / UY / UP	4.7K
UX	3.3K
DOM	2.2K
E / B / EN / EV	1.5K
EE	680



Parts are safety assurance parts. When replacing those parts make sure to use the specified one.

A B C D E F G H I J

■ Tuner section

IC5 LA1823					
PIN	FM	AM	PIN	FM	AM
1	1.27	1.26	13	3.57	4.05
2	1.27	1.26	14	3.64	3.02
3	4.36	4.68	15	3.64	0.74
4	4.36	4.68	16	1.23	1.27
5	2.08	2.54	17	1.23	1.27
6	0	0	18	1.27	1.27
7	0.01	1.12	19	1.0	0.32
8	4.32	4.68	20	4.25	4.64
9	4.36	4.67	21	4.24	4.64
10	1.27	1.26	22	4.25	4.66
11	1.27	1.26	23	0	0
12	0.10	0.45	24	0.95	0

IC4 LC72136					
PIN	FM	AM	PIN	FM	AM
1	2.5	2.71	13	0	0
2	0.02	5.84	14	0	0
3	0	0	15	2.51	2.71
4	5.09	5.38	16	2.51	0
5	5.08	5.26	17	5.05	5.38
6	5.08	5.35	18	0.89	0.93
7	3.64	3.02	19	0	0.93
8	3.64	0.02	20	1.82	1.17
9	0	0	21	0	0
10	0.2	0	22	2.36	2.53
11	0	0			
12	0	0			

IC6 BU1823					
PIN	FM	AM	PIN	FM	AM
1	2.60	0	13	2.17	0
2	2.40	0	14	0	0
3	2.72	0	15	0	0
4	2.68	0	16	2.53	0
5	5.04	0			
6	0	0			
7	0	0			
8	2.70	0			
9	0.4	0			
10	0	0			
11	0	0			
12	5.04	0			

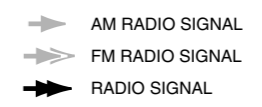
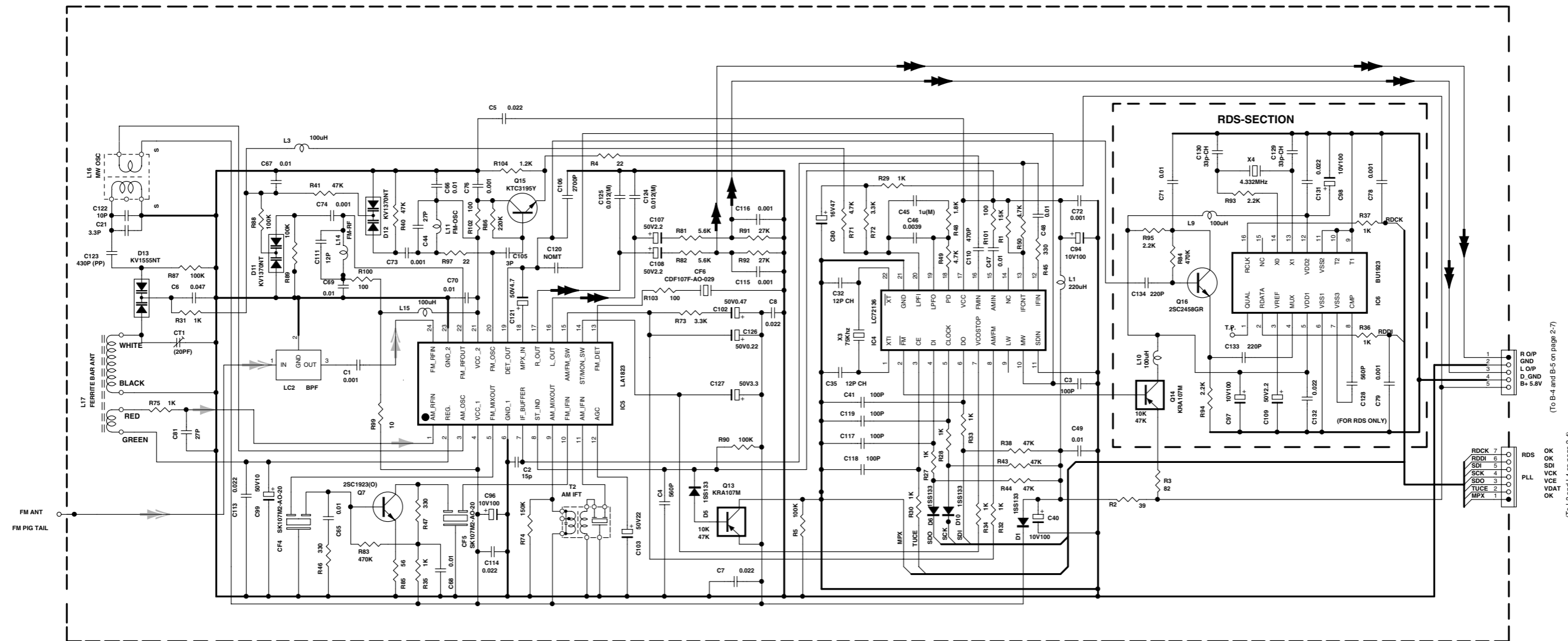
Q7 2SC1923(O)		
PIN	FM	AM
E	0.03	0.03
C	3.55	3.82
B	0.73	0.74

Q15 KTC3195Y		
PIN	FM	AM
E	1.40	1.55
C	4.10	4.51
B	2.10	2.26

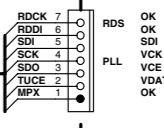
Q13 KRA107M			
PIN	FM	FM	AM
E	4.34	4.34	4.68
C	0	4.10	0
B	4.32	0.8	4.66

Q16 2SC2458GR		
PIN	FM	AM
E	1.30	0
C	3.66	0
B	2.0	0

Q14 KRA107M		
PIN	FM	AM
E	5.21	5.86
C	5.14	0
B	0.02	5.80

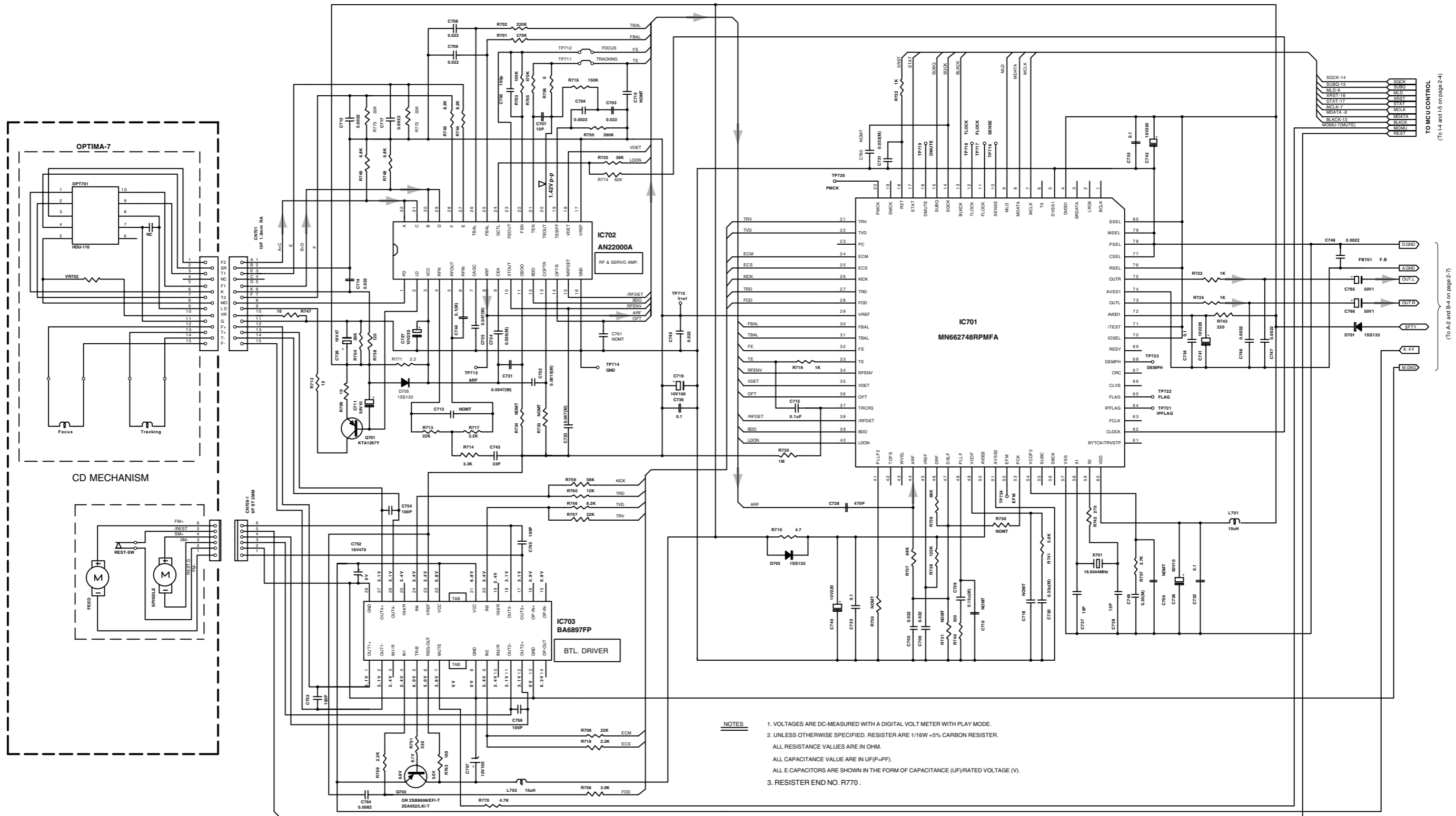


(To B-4 and B-5 on page 2-7)
 (To I-3 and I-4 on page 2-4)

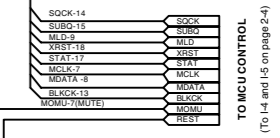


CD servo control section

7
6
5
4
3
2
1



- NOTES**
1. VOLTAGES ARE DC-MEASURED WITH A DIGITAL VOLT METER WITH PLAY MODE.
 2. UNLESS OTHERWISE SPECIFIED, RESISTOR ARE 1/16W +5% CARBON RESISTOR. ALL RESISTANCE VALUES ARE IN OHM. ALL CAPACITANCE VALUE ARE IN UF(P-PF). ALL E-CAPACITORS ARE SHOWN IN THE FORM OF CAPACITANCE (UF)/RATED VOLTAGE (V).
 3. RESISTOR END NO. R770.

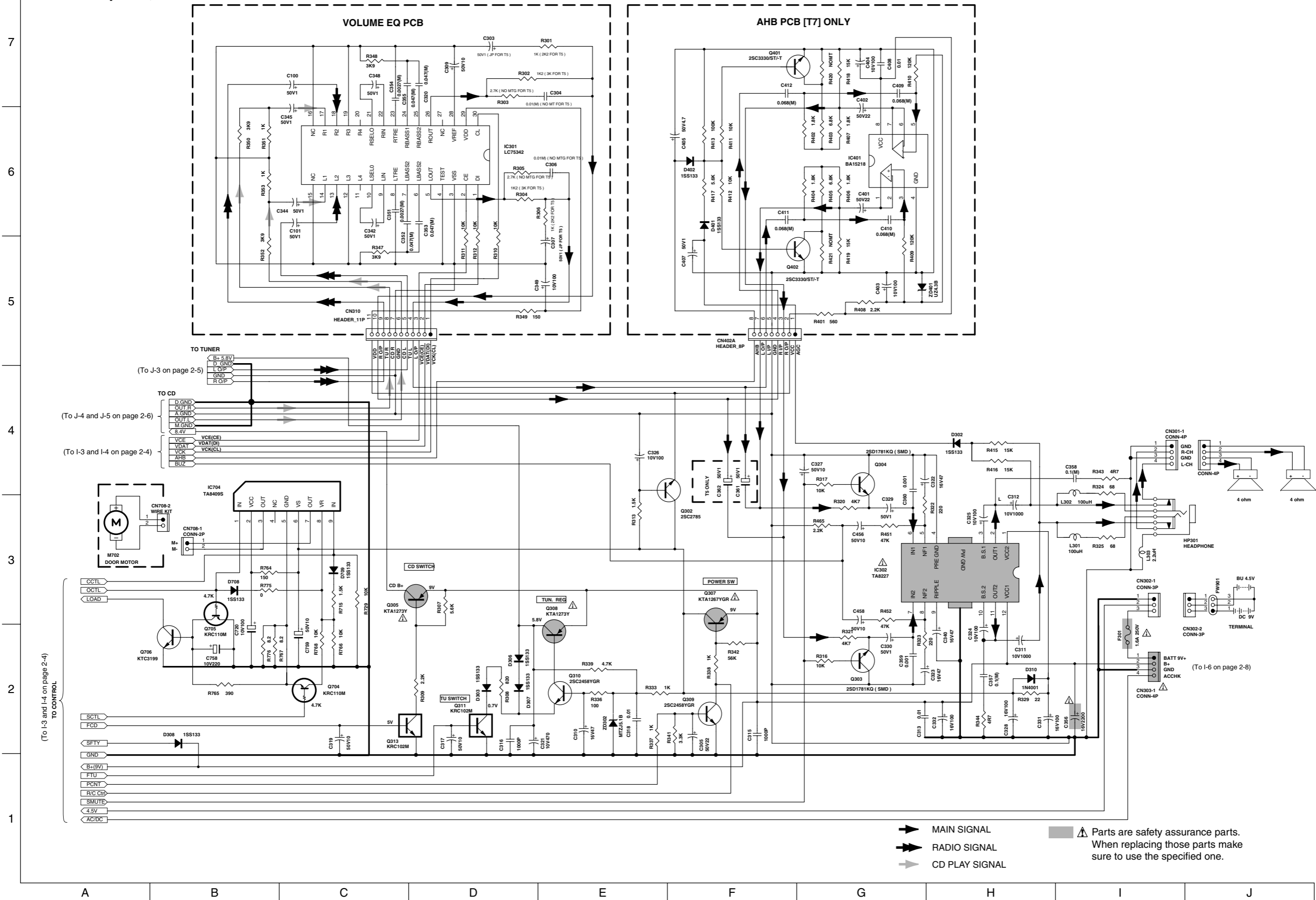


TO MCU CONTROL
(To I-4 and I-5 on page 2-4)

(To A-2 and E-4 on page 2-7)

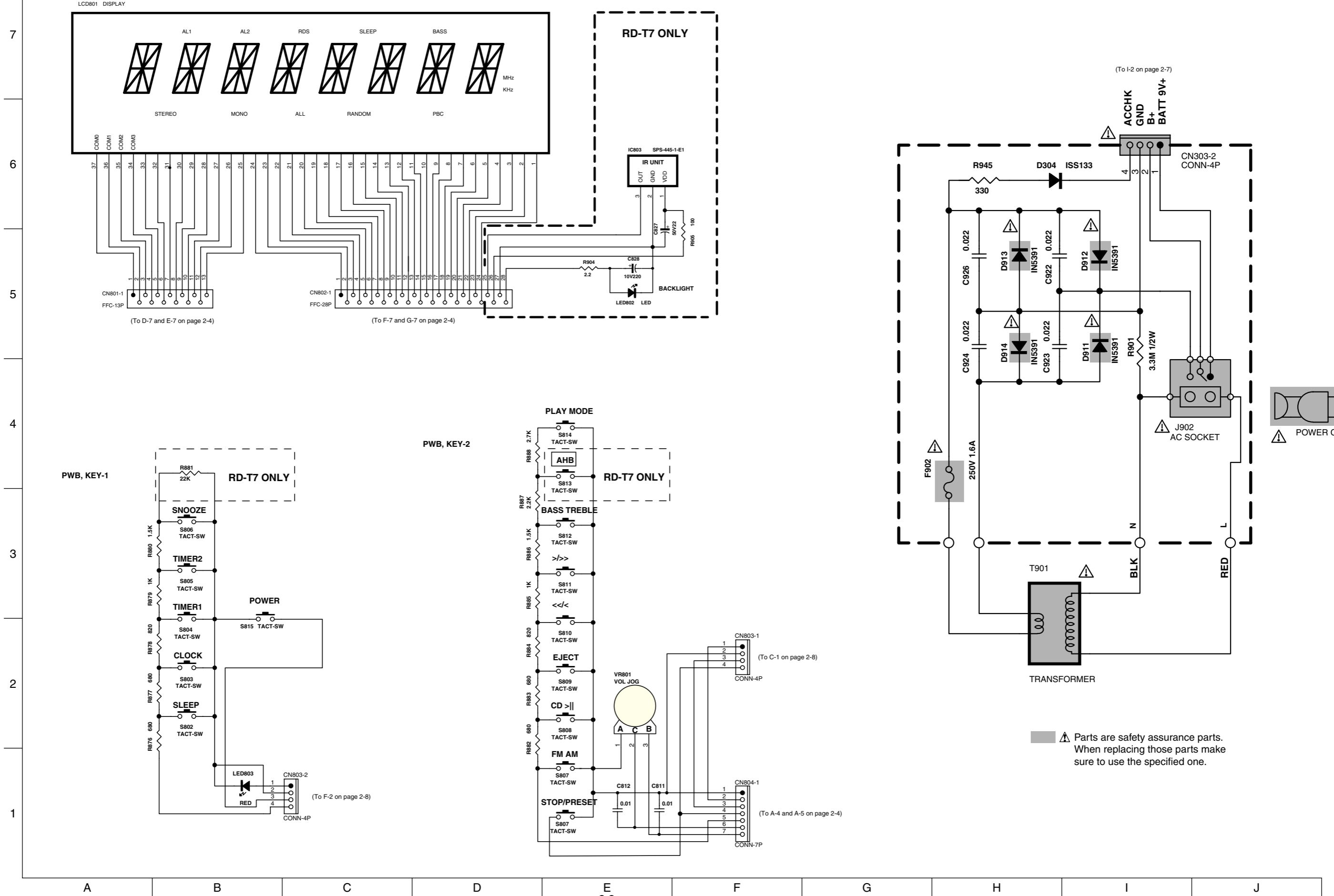
➔ CD PLAY SIGNAL

■ Main amplifier, volume and AHB section



MAIN SIGNAL
 RADIO SIGNAL
 CD PLAY SIGNAL
 Parts are safety assurance parts. When replacing those parts make sure to use the specified one.

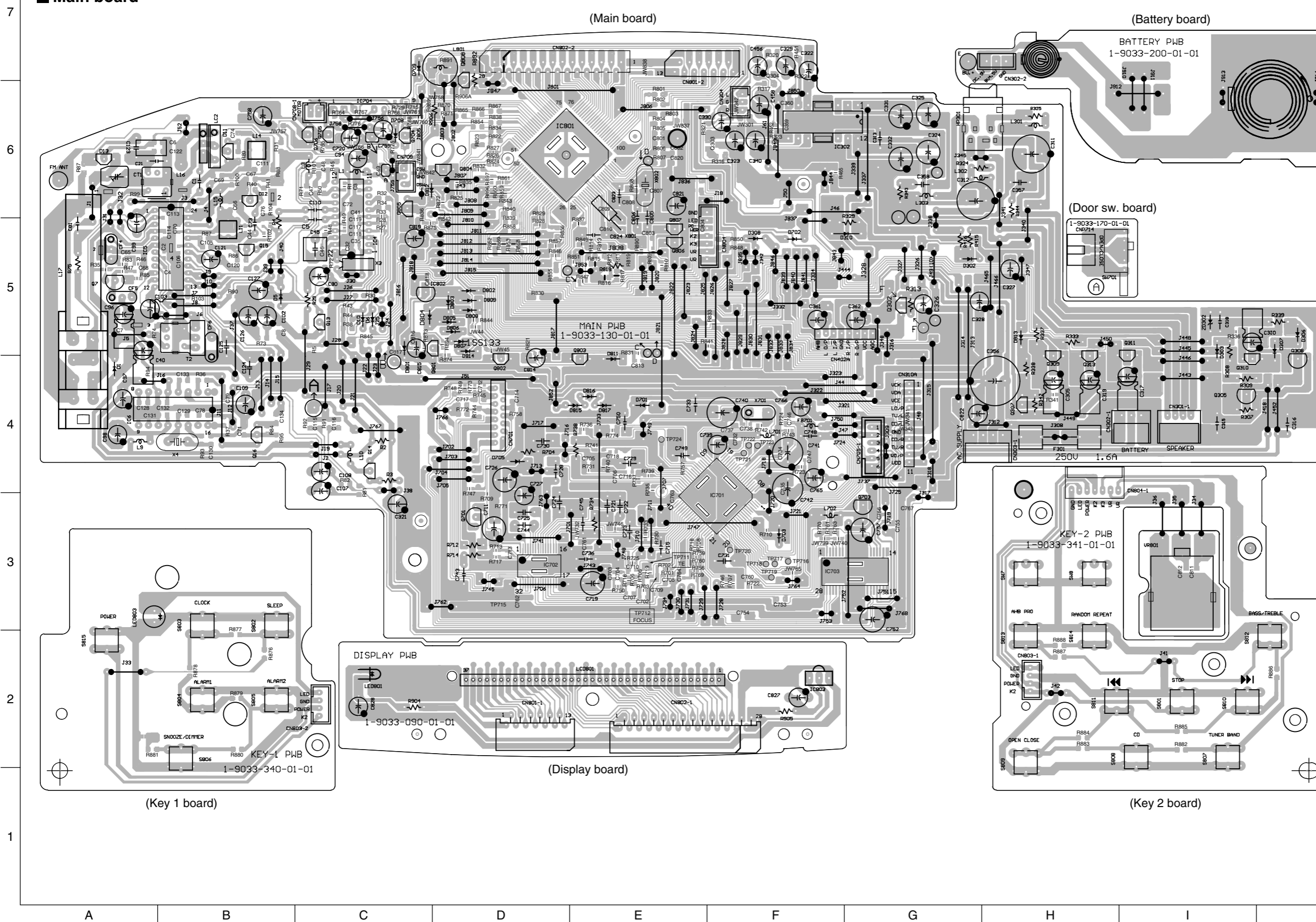
FL display, key-1, key-2 and power supply section



Parts are safety assurance parts. When replacing those parts make sure to use the specified one.

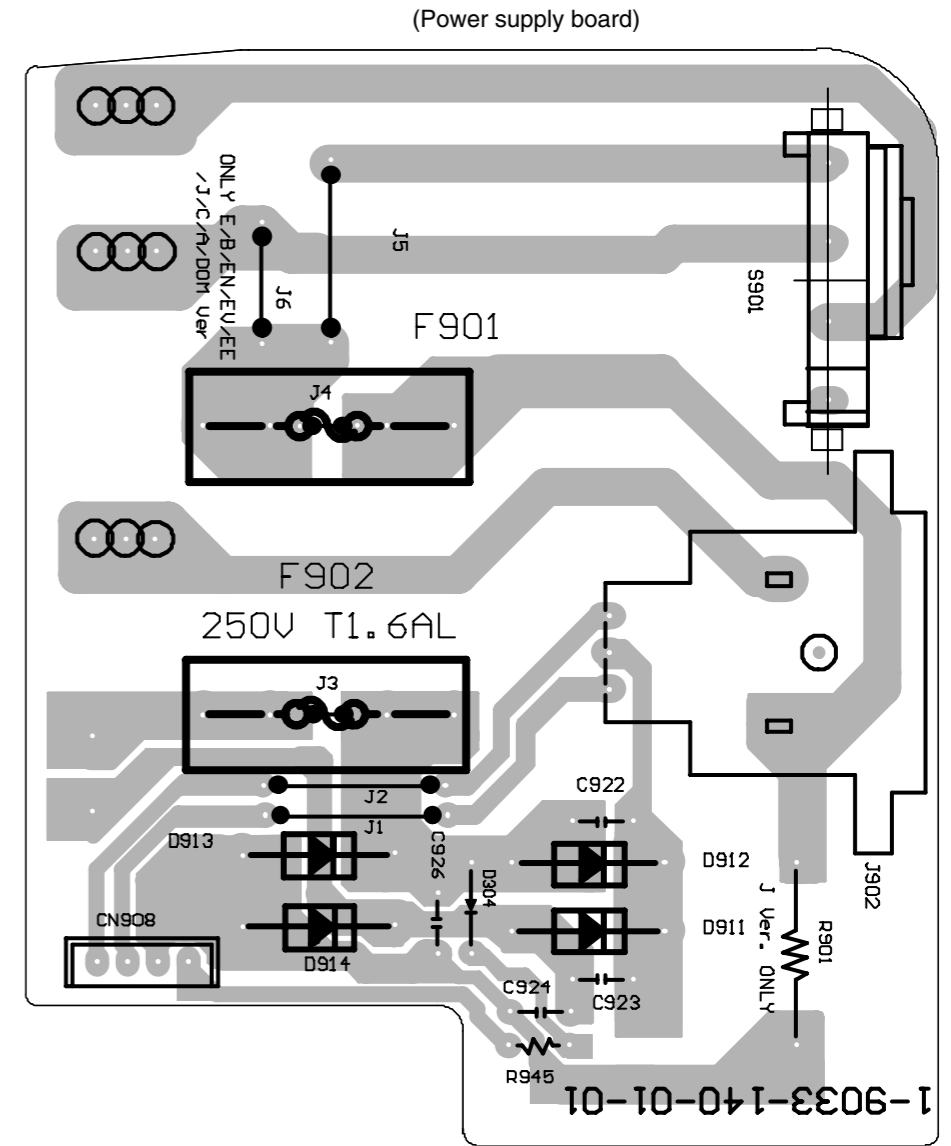
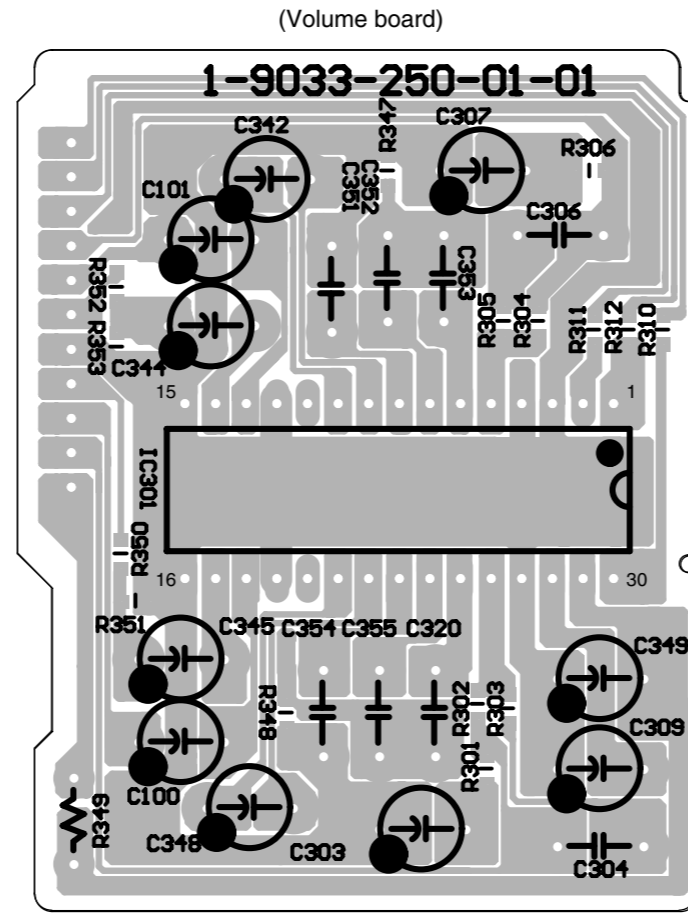
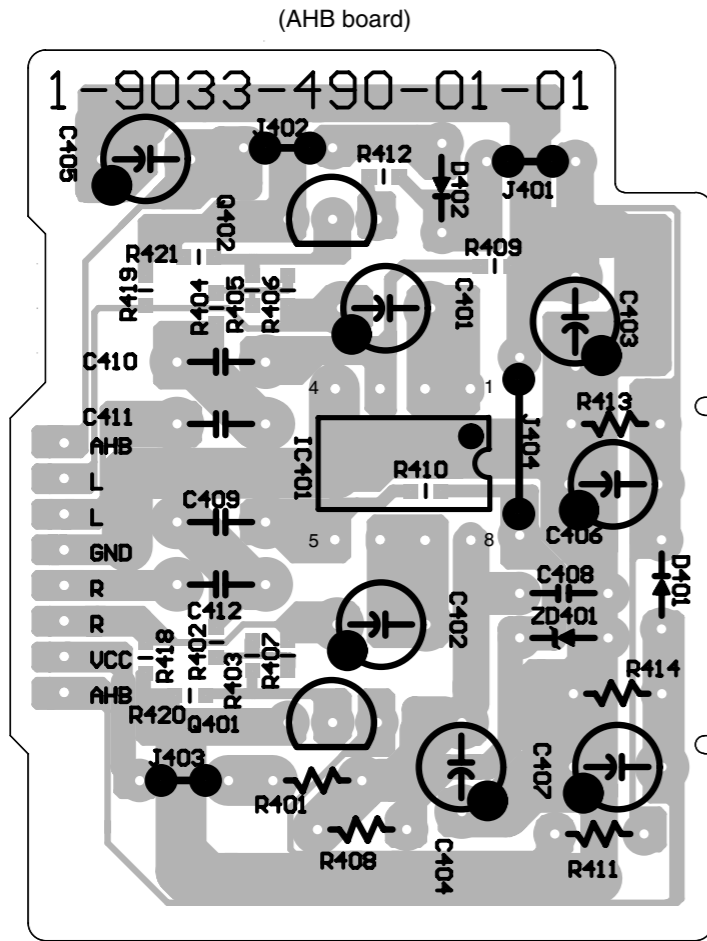
Printed circuit boards

■ Main board



■ AHB, volume and power supply board

7
6
5
4
3
2
1



A B C D E F G H I J

— MEMO —